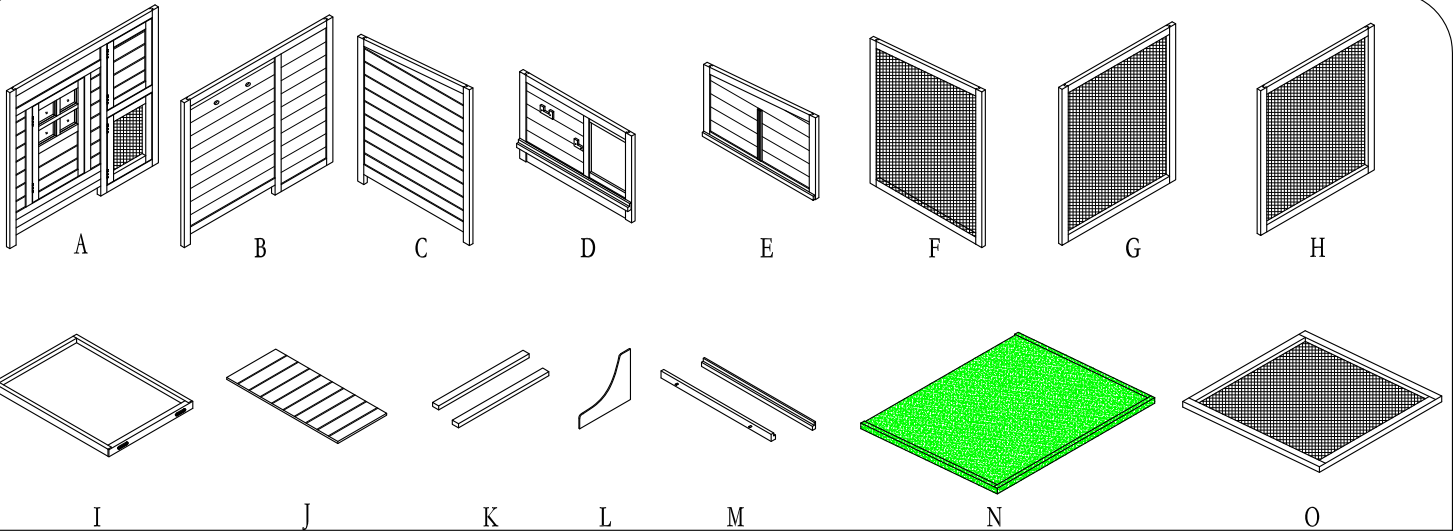
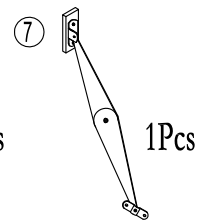
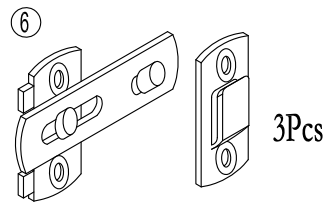
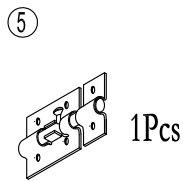


CH14 CUBE HOUSE ASSEMBLY INSTRUCTIONS

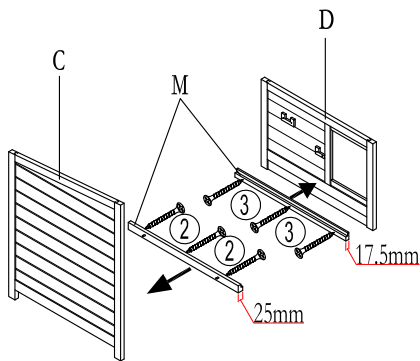


Screws:

- ① $\phi 3.5 \times 60$ 4Pcs
- ② $\phi 3.5 \times 40$ 23Pcs
- ③ $\phi 3.5 \times 35$ 3Pcs
- ④ $\phi 3 \times 16$ 28Pcs

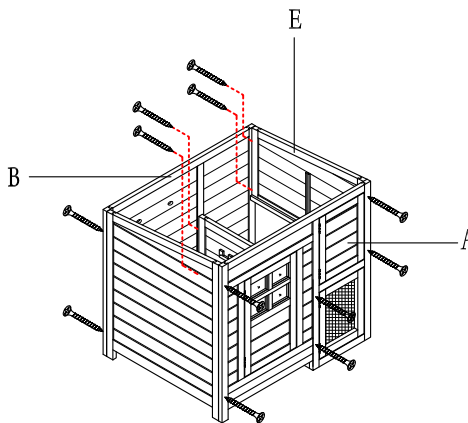


STEP:1



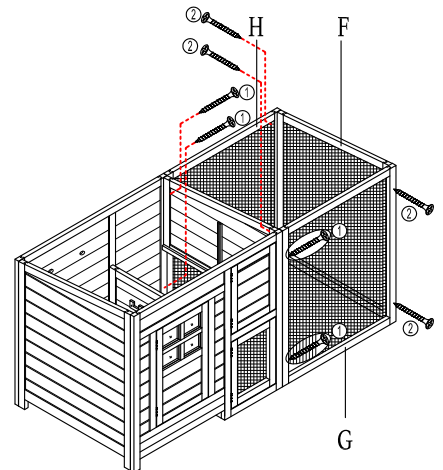
- ② $\phi 3.5 \times 40$ 3Pcs
- ③ $\phi 3.5 \times 35$ 3Pcs

STEP:2



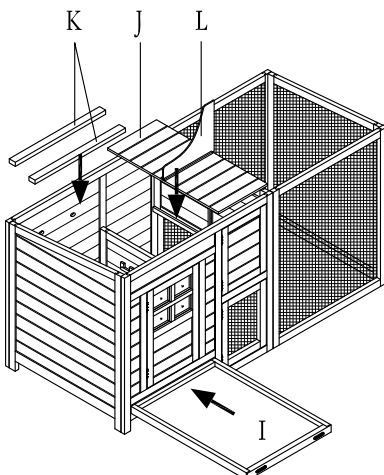
- ② $\phi 3.5 \times 40$ 12Pcs

STEP:3

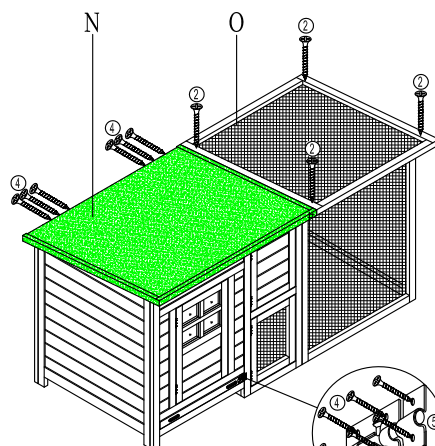


- ① $\phi 3.5 \times 60$ 4Pcs
- ② $\phi 3.5 \times 40$ 4Pcs

STEP:4

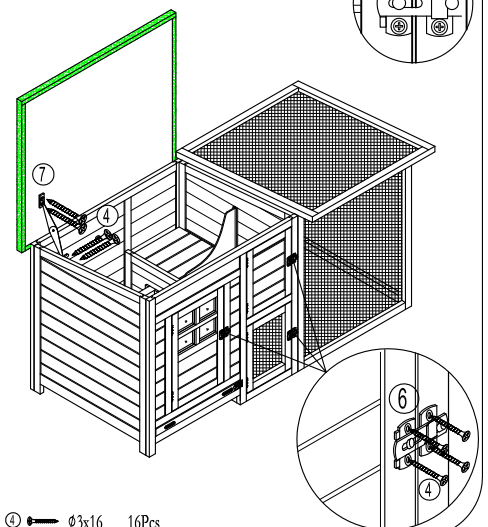


STEP:5



- ① $\phi 3.5 \times 40$ 4Pcs
- ② $\phi 3 \times 16$ 12Pcs

STEP:6



- ④ $\phi 3 \times 16$ 16Pcs