


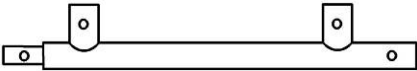
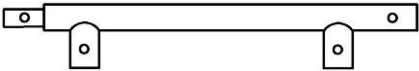
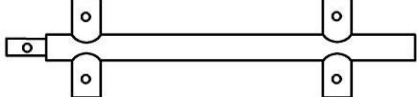


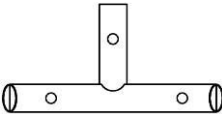
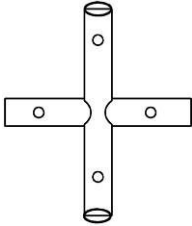
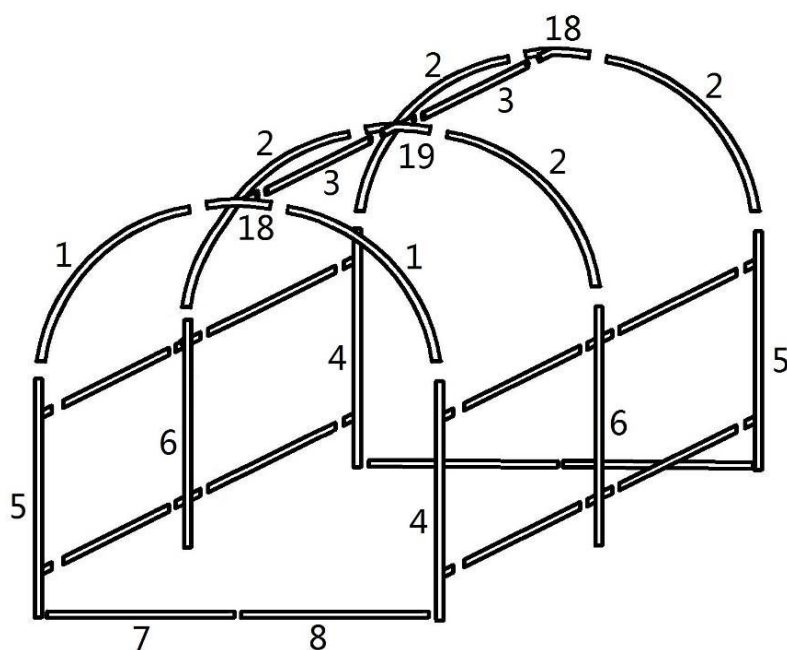


2m x 3m Greenhouse – Main Frame Assembly Instructions


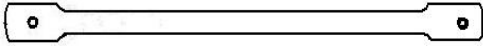

Main Greenhouse Frame Parts list	Image of the part	Quantity
Tube No.1		2
Tube No.2		4
Tube No.3		10
Tube No.4		2
Tube No.5		2
Tube No.6		2
Tube No.7		2
Tube No.8		2
Tube No.18		2
Tube No.19		1

1.) Assemble the greenhouse main frame parts like the diagram below.

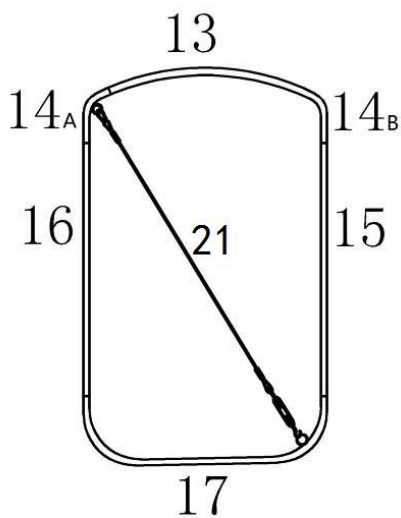


2m x 3m Greenhouse – Door Assembly Instructions

Door Frame & Door Parts list	Image of the part	Quantity
Tube No.9		1
Tube No.10		1
Tube No.11		1
Tube No.12		1
Tube No.13		1
Tube No.14		AX1 BX1
Tube No.15		1
Tube No.16		1

Tube No.17		1
Tube No. 20		2
Door cable set No.21		1

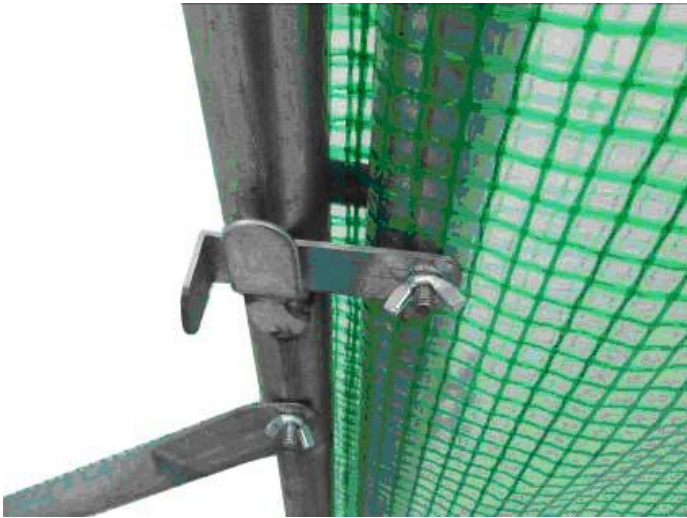
2.) Assemble the door frame like the diagram, secure the corners of the door frame using the (door cable set No.21)



3.) Pull the door cover onto the door frame and seal it with the velcro at the bottom.

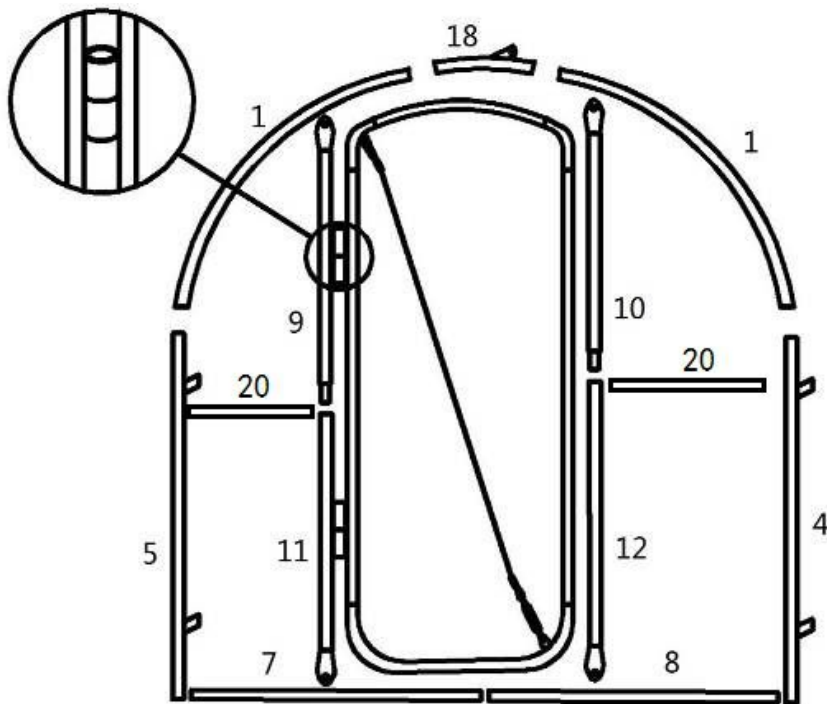


4.) Attach the door lock



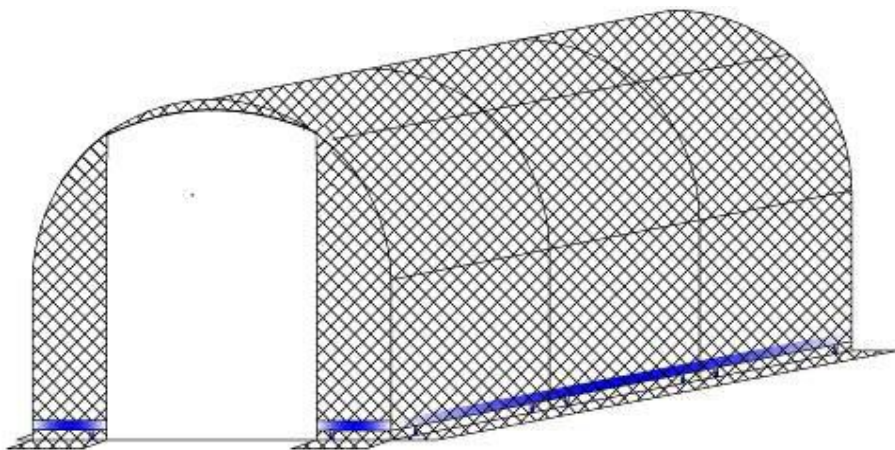
Make two small holes through the fitted door cover to match the holes that is pre drilled on the door (Tube No.15), make it small enough so just a screw can fit through.

Next thread through the locking screw and tighten like the picture. Both lock same way to install.



5.) Install the door frame onto the main frame, note there are hinges on tube (No.16) that match with (No. 9) and (No.11).

6.) Pull the greenhouse cover over the main frame and secure the cover to the frame by using the velcro.



7.) Side water collector.
Use and adjust the buckle ties on the waterspout fabric to make it gather water when is needed.

