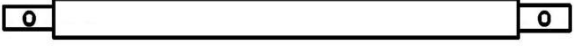

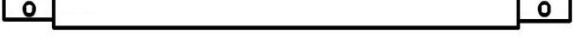
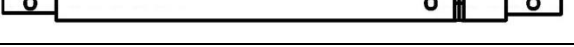
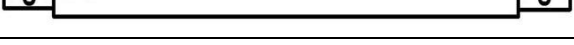



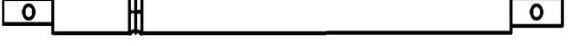

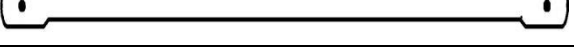
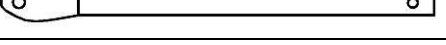
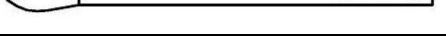
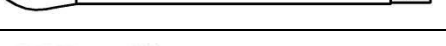

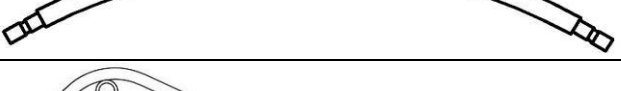
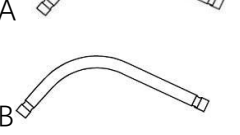
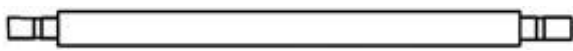
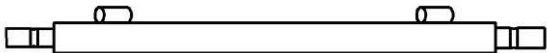

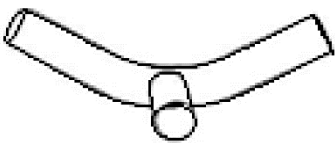
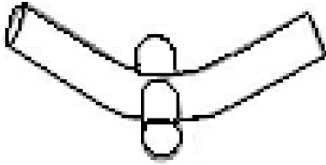
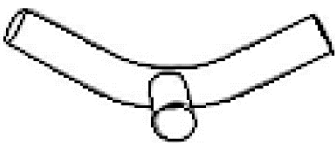
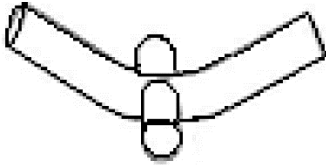
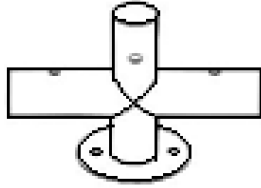
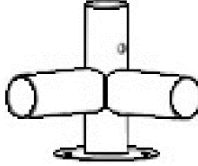
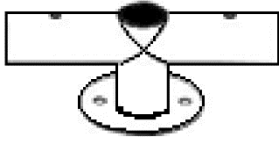

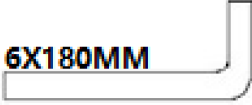





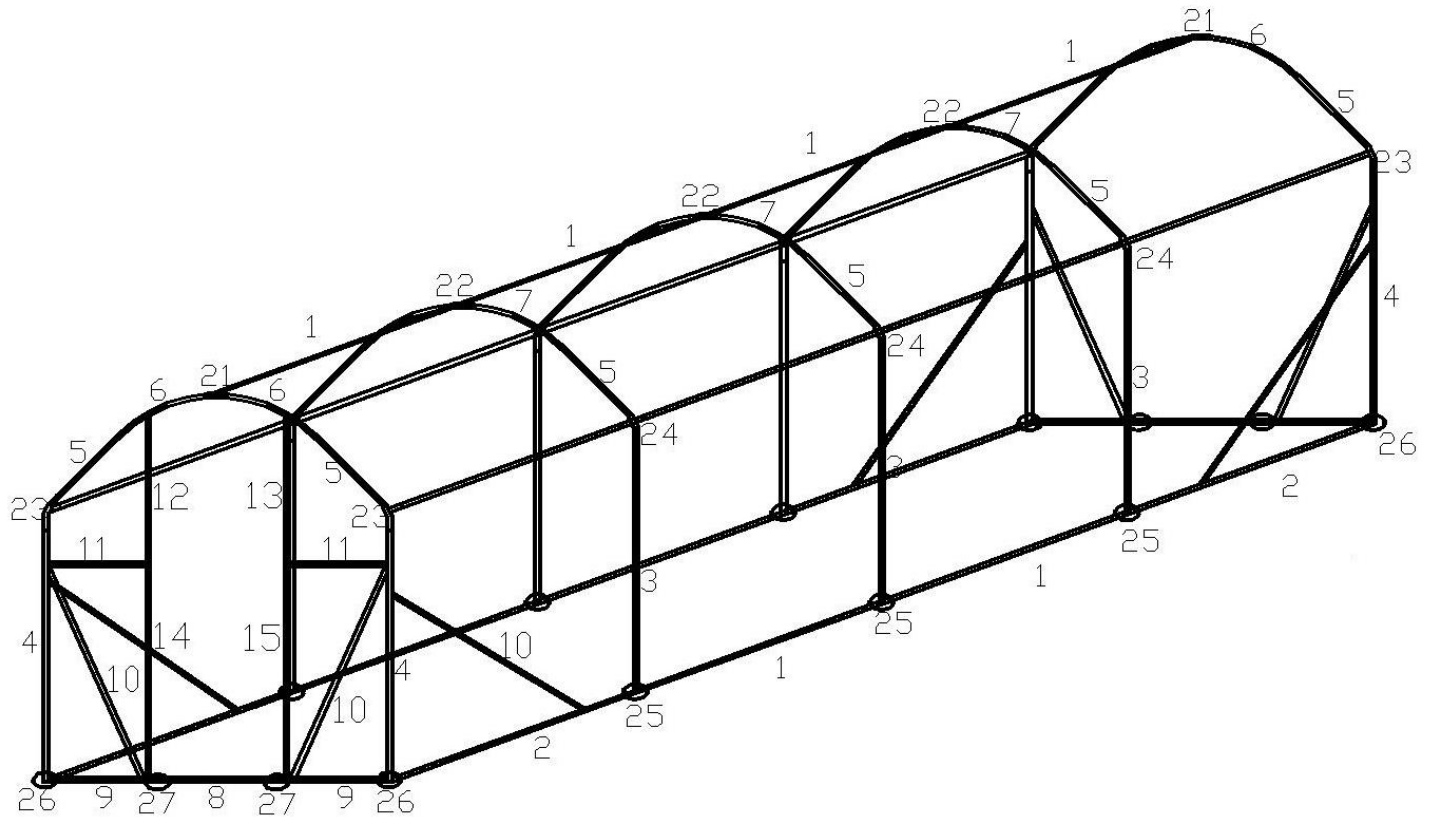
3X6M GREENHOUSE-- PY7

PART LIST	DIMENSION		QUANTITY
NO.1	1436MM		16 BOX-1
NO.2	1436MM		4 BOX-1
NO.3	1110MM		6 BOX-1
NO.4	1110MM		4 BOX-1
NO.5	1080MM		10 BOX-1
NO.6	670MM		4 BOX-1
NO.7	670MM		6 BOX-1
NO.8	1263MM		2 BOX-1
NO.9	775MM		4 BOX-1
NO.10	1170MM		8 BOX-2
NO.11	1055MM		2 BOX-2
NO.12	994MM		1 BOX-2
NO.13	994MM		1 BOX-2
NO.14	994MM		1 BOX-2
NO.15	994		1 BOX-2
NO.16	710MM		1 BOX-2
NO.17	330MM		A 1 B 1 BOX-2

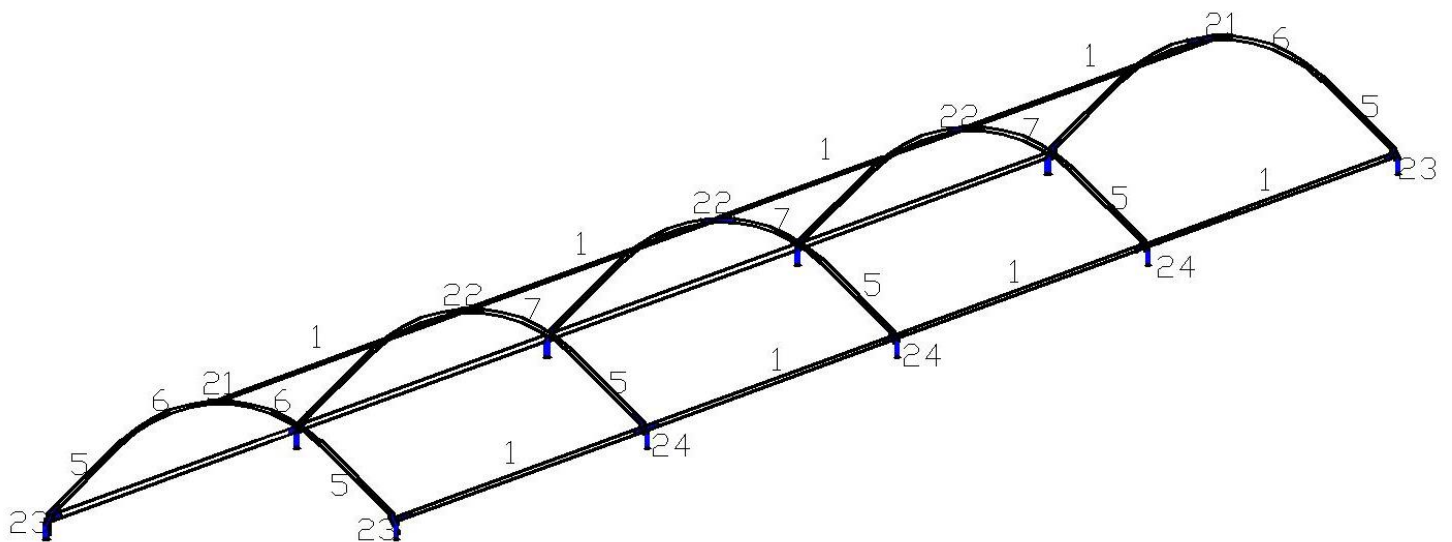
NO.18	1445MM		1 BOX-2
NO.19	1445MM		1 BOX-2
NO.20	1335MM		1 BOX-2

CONNECTER AND ACCESSORIE SHEET

Number		QUANTITY	Number		QUANTITY
NO.21		2 BOX-2	NO.22		3 BOX-2
NO.23		4 BOX-2	NO.24		6 BOX-2
NO.25		6 BOX-2	NO.26		4 BOX-2
NO.27		4 BOX-2	NO.28	 M6X40	28 BOX-2
NO.29	 6X180MM	14 BOX-2	NO.30		1 BOX-2
NO.31		1 BOX-2	NO.32	COVER SET	1 BOX-2
NO.32	 M6X37	1 BOX-2			

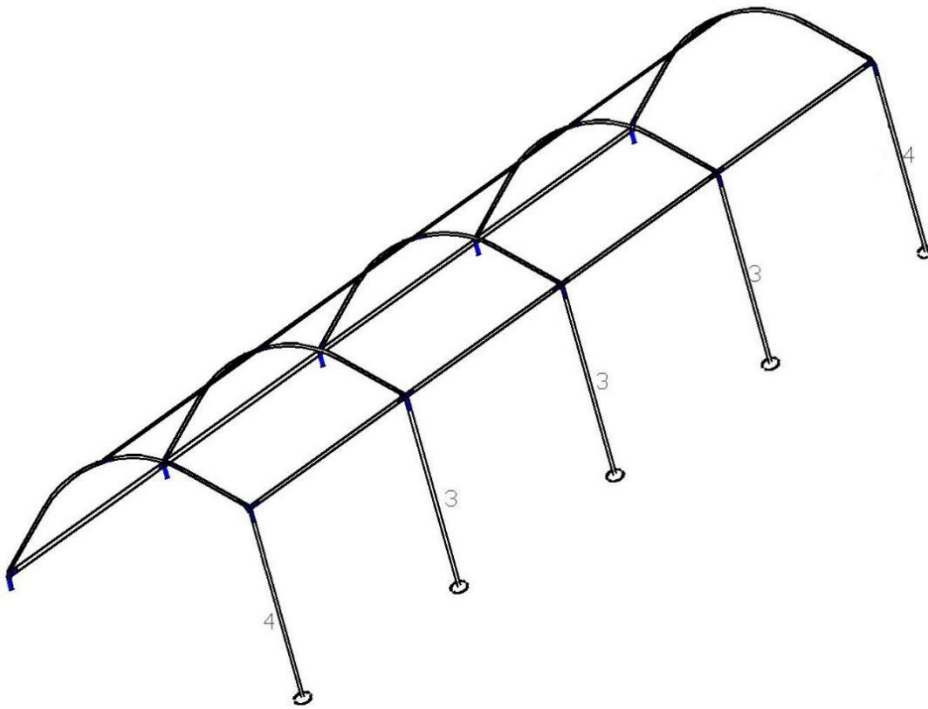


STEP I - Lay all roof parts (1, 5, 6 and 7) flat on the floor and connect like below with part 21, 22, 23, 24.



STEP II – Inserting legs

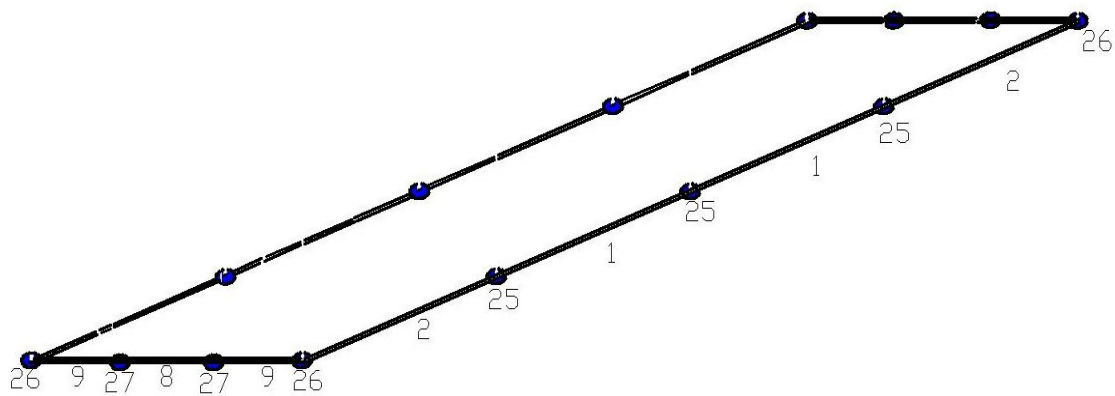
Lift up one side insert tube No.3 and No.4, leg 4 at both ends, leg 3 in the middle.



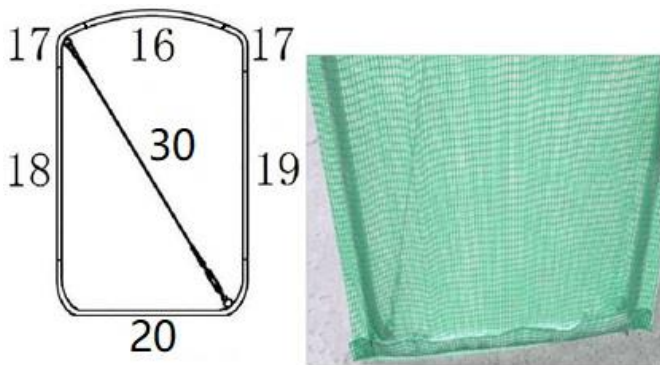
STEP III

Repeat step II lift up and install the other legs.

STEP IV Create ground frame



STEP V Assemble the door frame like the diagram, secure the corners of the door frame using the door cable set. Pull the door cover onto the door frame and seal it with the velcro.

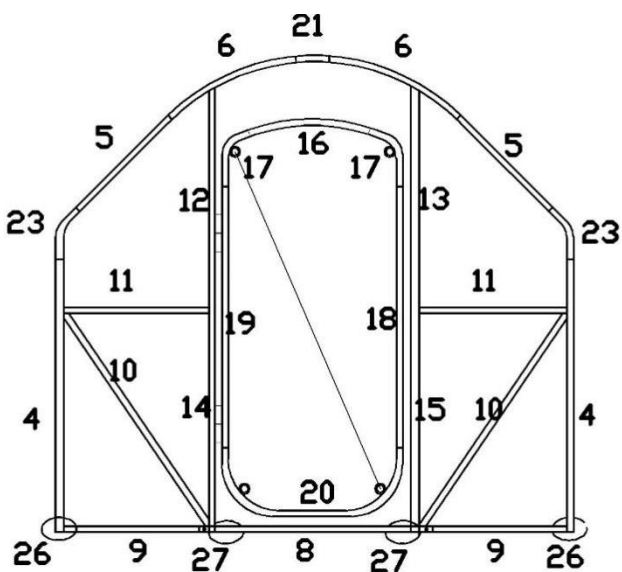


STEP VI Attach the door lock. Make a small hole through the fitted door cover to match the hole that is pre drilled on the door (Tube No.15), make it small enough so just a screw can fit through. Next thread through the locking screw and tighten use screw M6X37.



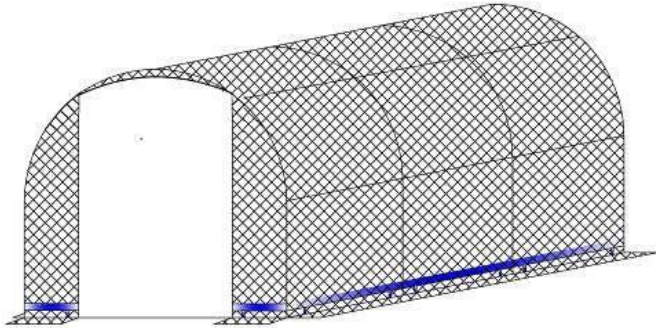
STEP VII Screw tube 12,13, 14, and 15 to tubes 6, screw bolt in from the other side of tube 8 (Use screw M6X40)

STEP VIII – Position and screw bracing bars (10 and 11) into place – see first diagram to view all positions. (Use screw M6X40)



STEPVIII

Pull the greenhouse cover over the main frame and secure the cover to the frame by using the Velcro



STEP IX

Side water collector. Use and adjust the buckle ties on the waterspout fabric to make it gather water when is needed.

