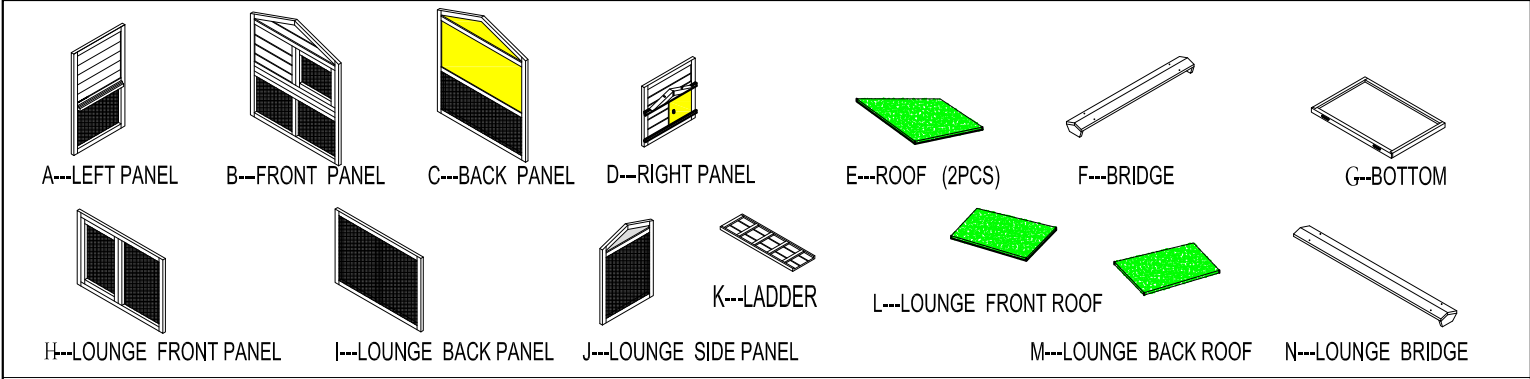


RH12 BUNNY-HOUSE ASSEMBLY INSTRUCTIONS

PARTS LIST:

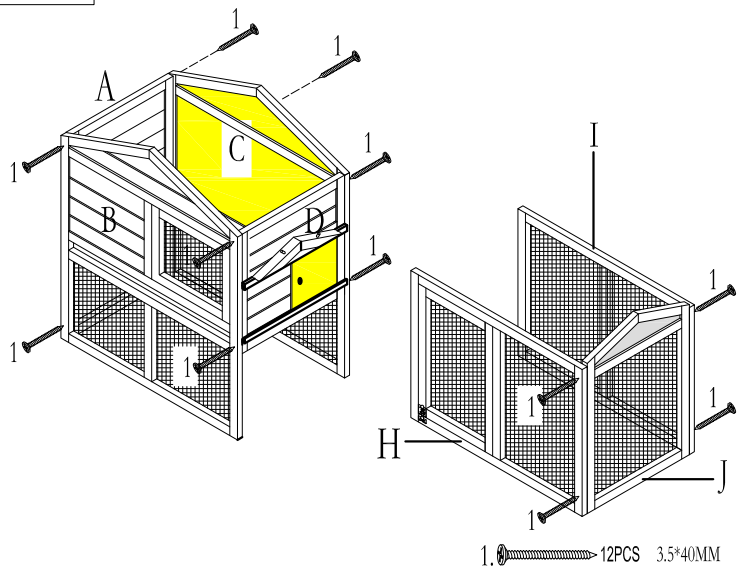
www.feelgooduk.net



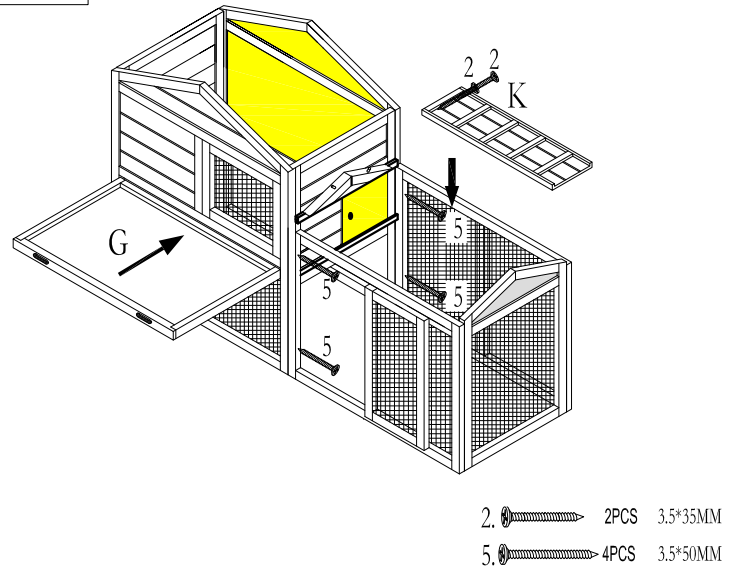
HARDWARE LIST:

- | | | |
|---------------------------------|---------------------------------|-------------------------------------|
| 1. SCREW-----12PCS
3.5*40MM | 2. SCREW-----16PCS
3.5*35MM | 3. SCREW-----8PCS
3.5*25MM |
| 4. SCREW-----14PCS
3*18MM | 5. SCREW-----4PCS
3.5*50MM | LATCHPLATE:
6. 1PCS
7. 2PCS |

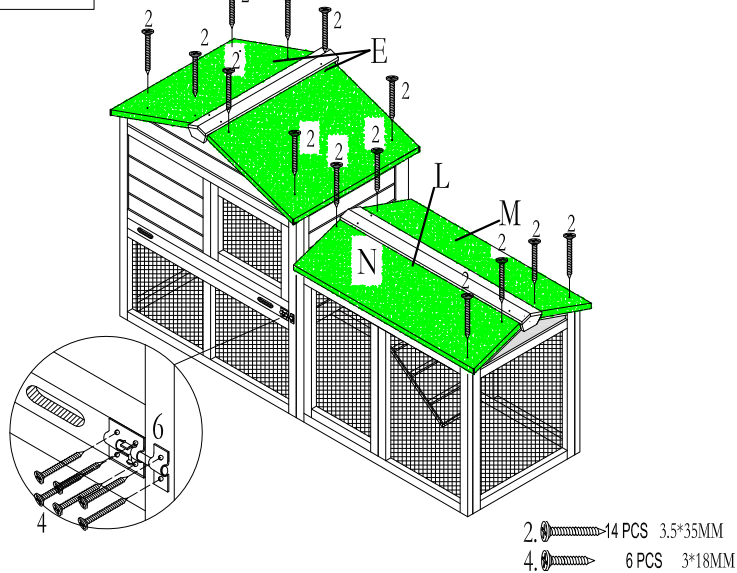
STEP 1



STEP 2



STEP 3



STEP 4

